

LED MIRROR INSTALLATION INSTRUCTIONS

8130180-LED-BF
8130180-LED-GF
8130240-LED-BF
8130240-LED-GF

The product is ETL standard .

WARNING:

All fittings must be installed by a trained professional.

Switch off the electrical supply on the main unit Before installation and maintenance.

Suitable for Bathroom Zones 2, 3 and non bathroom/dry areas. See diagram below.

Not suitable for the above Bath Zones (Zone "0" & Zone "1") nor for installation in Saunas, Steam Rooms or Shower Cubicles.

DO NOT connect to a plug and socket outlet.

Rated IP44 and suitable for indoor use only.

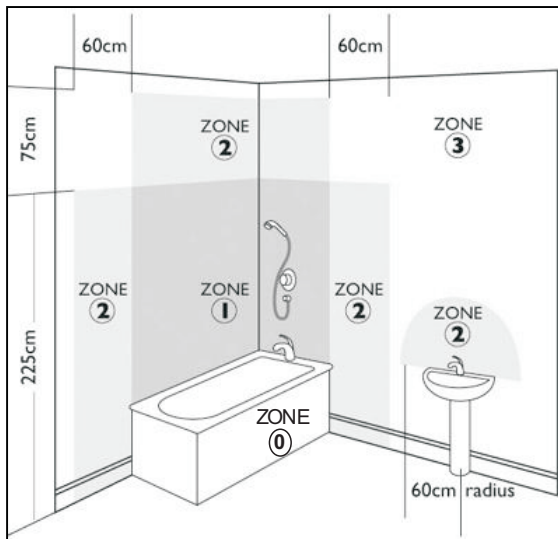
Do not fix to damp or conductive surfaces.

Site well away from curtains and fabrics.

Never cover the mirror.

Switch off after use

Do not leave on for prolonged periods.



IMPORTANT! BEFORE YOU BEGIN

Inspect the product immediately upon receipt for transit damage, missing parts or manufacturing faults.

Handle the product with care and protect against knocks to all sides and edges of the glass.

Fixings supplied are for use in solid walls, hollow or stud walls will require specialist fixings available from your hardware supplier

Make sure that you have all the tools you need to complete the job (SEE BELOW)

Ensure there are no hidden pipes or cables in the wall before drilling.

If drilling holes in ceramic tiles use a piece of masking tape on the tile to stop the drill bit from slipping.

AFTERCARE INSTRUCTIONS

Clean using a soft dry cloth only when turned off.

Never use cleaning agents or abrasive materials.

Do not allow moisture to come into contact with the lamps.

TOOLS REQUIRED



CONTAINS:

1 x Mirror, 4 x screws and 4 x wall plugs

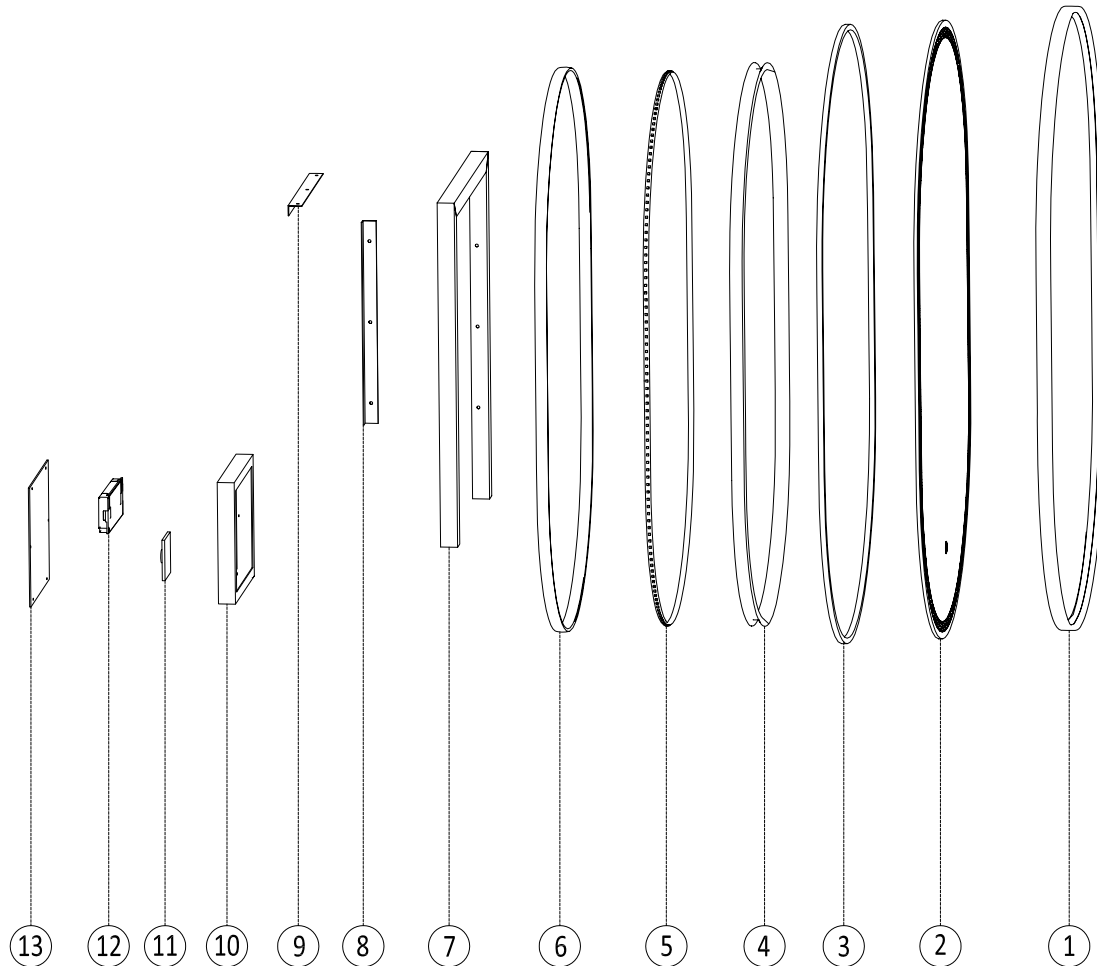
INSTALLATION INSTRUCTIONS

1. Switch off the electrical supply at the mains before beginning
2. Using the template, mark the wall with a pencil.
3. Ensure that the mirror is level and check there are no hidden pipes or cables before drilling.
4. Wearing suitable eye protection, drill 4 holes using a 6mm drill bit and fix the wall plugs and screws in place leaving the end of the screw head protruding from the wall.
5. Make the electrical connections in accordance with current IEE wiring regulations. If in doubt consult your electrician.
6. Carefully hang the mirror.
7. Switch on the mirror lights.

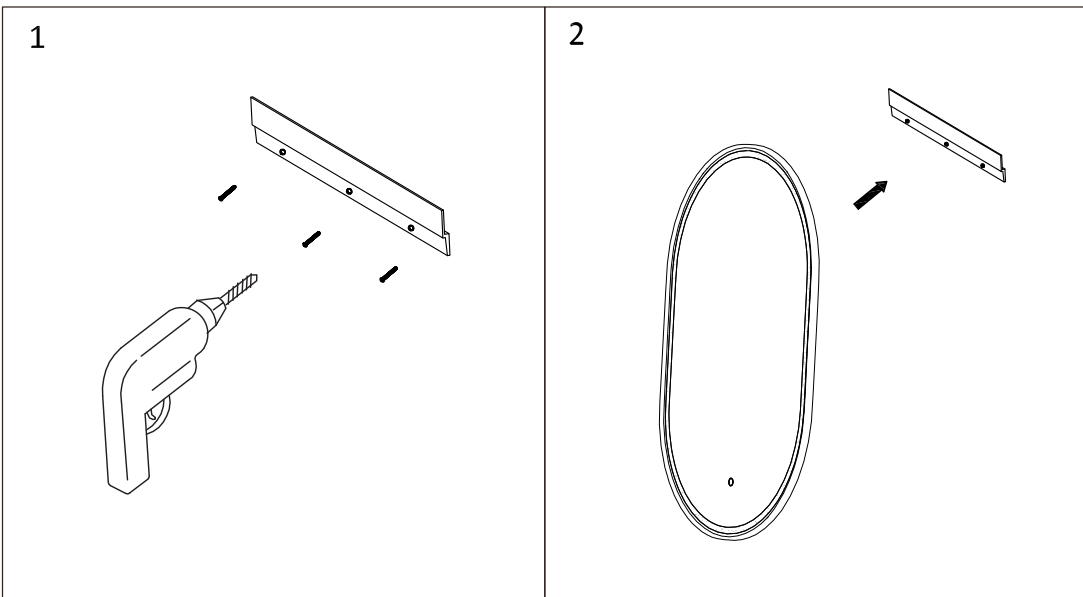
Exploded view

8130180-LED-BF
 8130180-LED-GF
 8130240-LED-BF
 8130240-LED-GF

Part	Description
1	Aluminum Frame
2	Mirror
3	EVA
4	Lamp Body Aluminum
5	LED Strip
6	Lighting Diffuser
7	Aluminum Frame
8	Hanging Bracket
9	Hanging Bracket
10	Eletrical Box Frame
11	Touch Switch
12	LED Driver
13	Back Cover



Step1 Mirror installation



1. Install the hanger by screws on wall, make sure the hanger is stable.
2. Hang the mirror on the hanger.

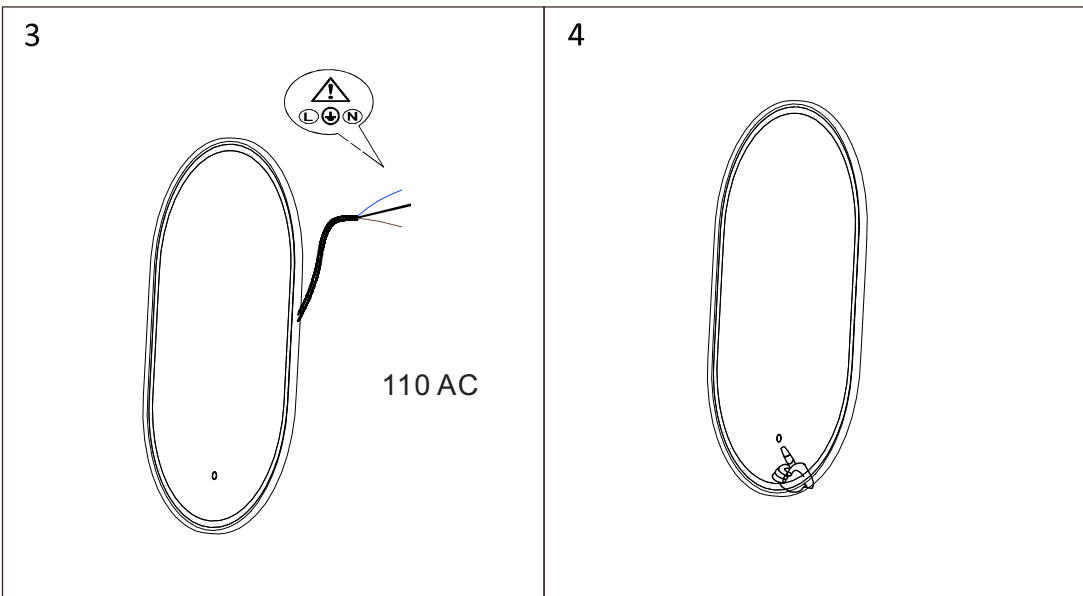
Step2 Cleaning and care

Daily cleaning and care are required in order to keep the product cleaning and properly working.

- 1 Clean it with alcohol and dry it with soft cloth.
- 2 Clean the product with mirror glass cleaner.
- 3 Don't use acid cleaner.
- 4 Don't clean with abrasive material, abrasive paper or knife.

Wiring
This product requires an earth connection.

COLOUR CODING:
L - Live = Black
N - Neutral = White
⊕ - Ground = Green



3. Connect the mirror power wire to local wire, L-L, N-N.
4. Check the touch switch and mirror lighting connection.